

## Part 6

### SIGN – Signs

#### APP45 – Signs

##### 1. Introduction

Design standards for signage are set out in APP45 – Table 1: Minimum lettering sizes (Capital letters) and separation distance below.

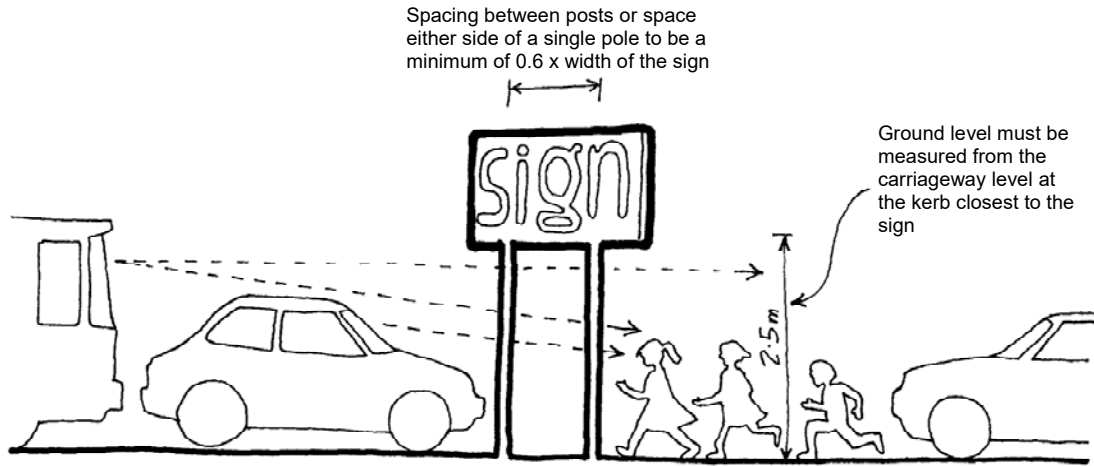
##### 2. Standards

All signs within 20 metres of the nearest edge of a carriageway of a legal road where the sign message will be visible from that road shall have the minimum letter heights and separation distance shown in APP45 – Table 1: Minimum lettering sizes (Capital letters) and separation distance determined by the regulatory speed limit on the road from which they are visible.

**APP45 – Table 1: Minimum lettering sizes (Capital letters) and separation distance**

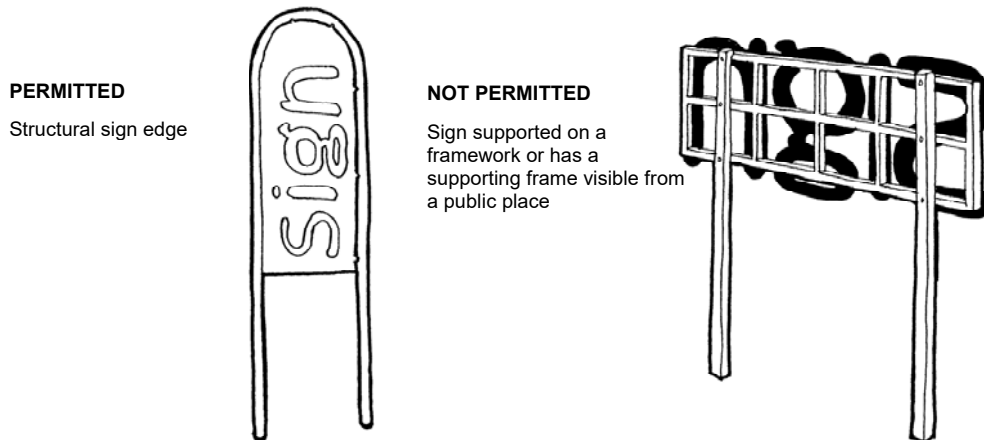
Regulatory speed limit (km/hr)	Lettering height (mm)				
	Main message	Property name	Secondary message	Between lines of text	Distance from all signs and controls (M)
50	150	100	75	100	80
70	200	150	100	100	150
80	250	175	125	100	200
100	300	200	150	100	250

**APP45 – Figure 1: Freestanding signs**

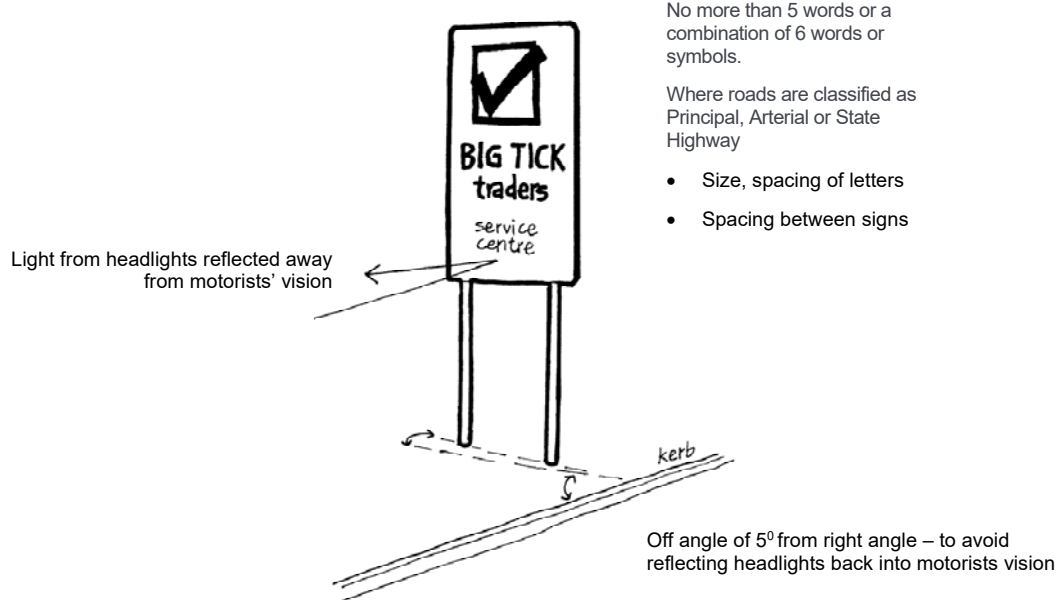


To allow visibility under the sign to approaching traffic, pedestrians and other objects, 2.5m above ground level must be kept clear and unobstructed. This allows drivers of vehicles including cars, buses and trucks to see under the sign to approaching traffic and pedestrians

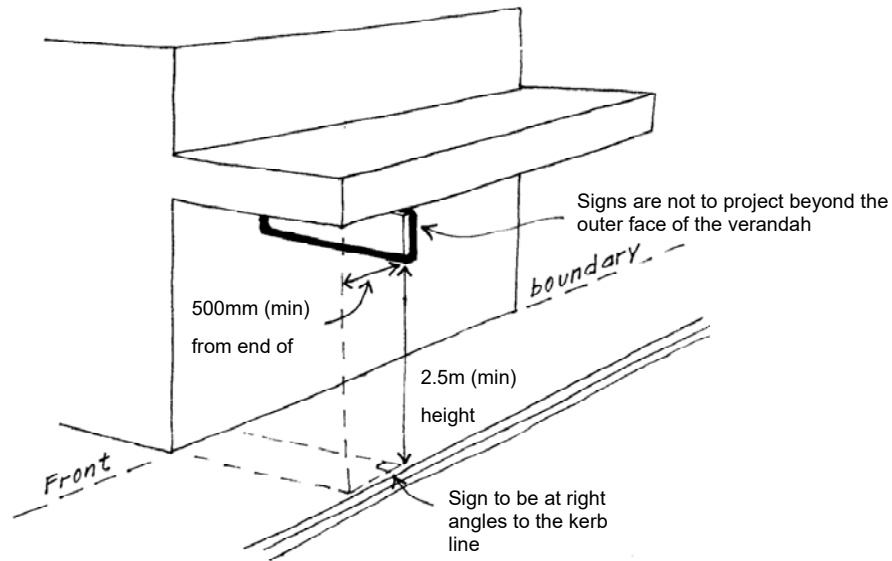
**APP45 – Figure 2: Illustration of ‘framework’ in SIGN-S2.a.ii.F.**



**APP45 – Figure 3: Explanation for SIGN-S2.a.i.**



**APP45 – Figure 4: Signs attached to the underside of a verandah SIGN-R19**



**APP45 – Figure 5: Explanation to SIGN-R16, SIGN-R17 and SIGN-R18**

